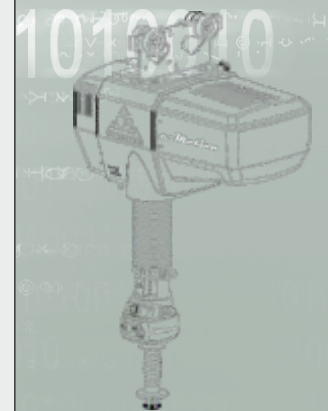
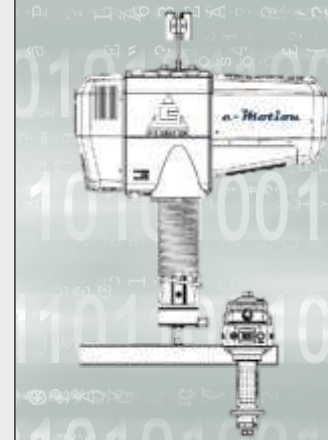
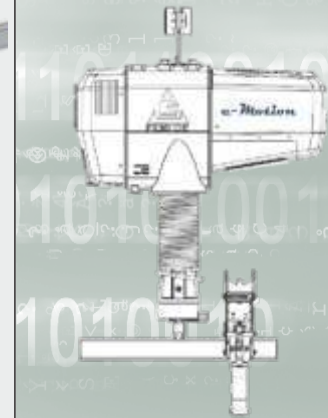


GORBEL®
A CLASS ABOVE

e-Motion Handlungssysteme GmbH
certified dealer and system integrator of GORBEL Inc.



Load handling with G-Force Easy ARM®



G-Force Technology - taking *Intelligent Lifting*
www.emotion-balancer.com **to NEW LEVELS**





Free standing or under hung, Easy ARM® manipulators are Plug and Play solutions using the intelligent G-Force® Technology.

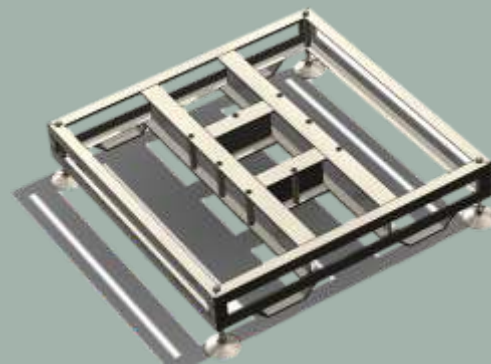
It is easy to move loads because the system is exactly following the users arm movements.

Stepless lifting speed and float mode provide rapid and efficient handling for the entire load range.

Easy Arm technical specification

- Load capacity: 165, 330, 660, 1320 lbs
- Height under hook: 6', 8', 10'
- Span: 6', 8', 10', 12', 14'
- Overall height: 6', = 109.14'
8', = 133.14'
10', = 157.14'
- Arm rotation: 355° primary arm,
320° secondary arm,

These dimensions are for Easy Arm units with inline slide handles only. Other heights and dimensions are available as special orders.



Portable Base

Instead of bolting your free standing unit to floor, we provide platforms designed for your span and load specifications.

www.emotion-balancer.com

info@emotion-balancer.com

+49 (0)6486 904 966-0